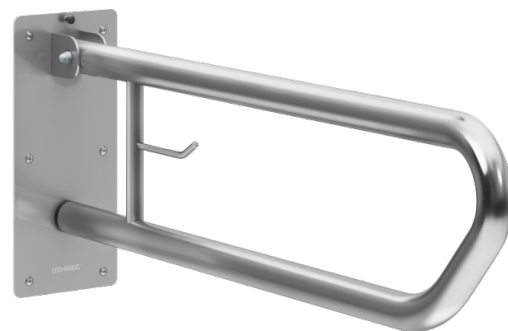


# Folding bar 600mm w/paper dispenser stainless steel polished

Ref. GW11 08 04 02

AISI 304 stainless steel, polished



## DESCRIPTION

**Folding bar 600mm w/paper dispenser stainless steel polished -**

[Ref.GW11 08 04 02](#)

Vertical folding bar with gradual breaking system incorporated. This horizontal installation bar is composed of an AISI 304 stainless steel tubing with 32 mm of diameter and 1.5 mm of thickness. The tube has been bent as a U and it is reinforced by a joist with a paper hanger located in the middle. The wall support is composed of an AISI 304 stainless steel plate with 3mm of thickness, and two AISI 304 stainless steel hinges with 3 mm of thickness using to turn the folding bar. All the pieces have been welded by TIG method. There are 6 bores on the wall mounted to support the bar on the wall. All the pieces of the bar have a polished finish. The folding bar complies the ADA regulation. The bar is fixed to the wall with 6 nylon plugs of 10X60 and AISI304 stainless steel screws of 8X70 with hexagonal head. Grab bar will support loads in excess of 120Kg if properly installed. The total measures of the product are 300x100x800




## TECHNICAL CHARACTERISTICS

**Folding bar 600mm w/paper dispenser stainless steel polished -**

[Ref.GW11 08 04 02](#)

Inaltime	300mm
Lungime	800mm
Finisaj	AISI 304 stainless steel, polished
Depth	100
Grosime	1.5mm
Diameter	32mm
Destination	For WCs

## ADVANTAGES

-  Anti-vandalism product.
-  Heavy duty
-  Gradual breaking system.